

WILDING WALLBEDS


Bookcase Wallbed

For installation instructions please go to the following address in your web browser:


<http://www.wallbedsbywilding.com/Videos/Bookcase/>

Hardware Supplied


Large Bag



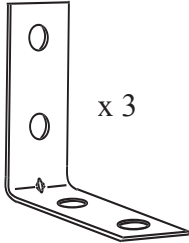
3 1/2" Grabber x 6



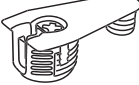
1 1/4" Grabber x 12




Square Tip Bit x 1



"L" Bracket x 3

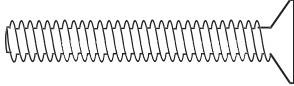


Cam Fitting (extras) x 4

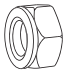


Connecting Bolt x 44


Small Bag



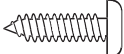
2" Machine Screw x 8




5/16" Nylock Nut x 8



5/16" Washer x 8

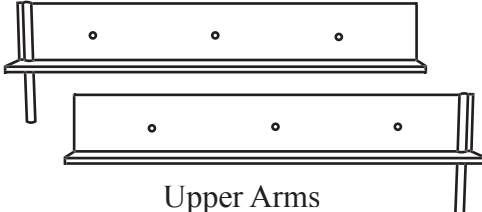


5/8" pan head screw x 18

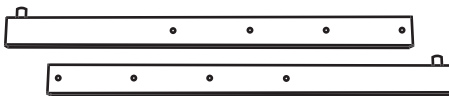


Brass Spacer x 2

Pivot Arms



Upper Arms



Lower Arms

For Wilding Wallbed's internal use only.

- Pivot Plates
- Ball Catch
- Strike Plate