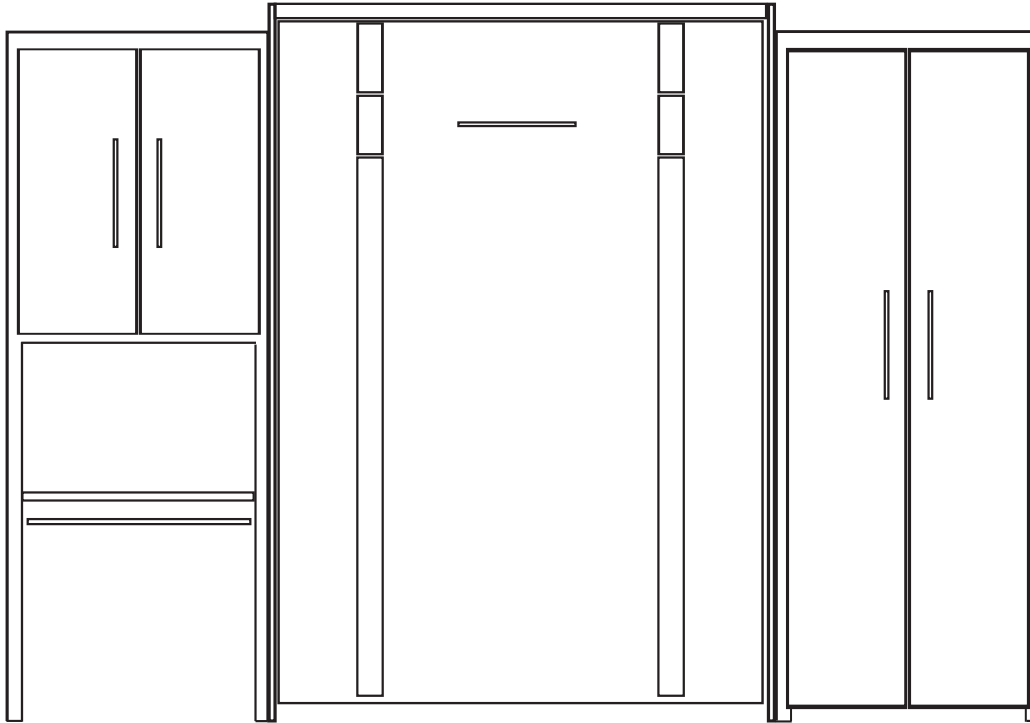


CLINICAL PRO SERIES INSTALLATION INSTRUCTION

INSTRUCTION BOOKLET #CPS 11




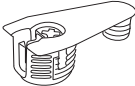



Watch step by step installation instructions at:

<https://www.wallbedsbywilding.com/installation-cps/>

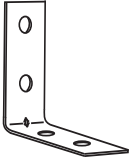

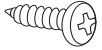
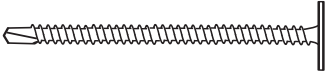
Note: Portions of the installation process will require two installers.

WARNING! ALL MURPHY SYSTEMS CONTAIN POWERFUL LIFTING COMPONENTS. FAILURE TO USE AND FOLLOW THESE INSTRUCTIONS DURING THE INSTALLATION PROCESS COULD RESULT IN SEVERE PERSONAL INJURY TO USER OR DAMAGE TO PRODUCT. PLEASE CONTACT CUSTOMER SERVICE AT 866-725-6401 FOR ANY QUESTIONS.

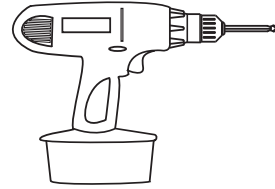
Hardware Supplied

	Qty		Qty
	12		4 Spare
1 1/4" Wood Screw		Cam Fitting	
	1		4 Spare
Square Tip Bit		Connecting Bolt	
	25		
5/8" Pan head Screw			

Securing Bed to Wall Hardware

	3		6
"L" Bracket		2.5" Wood Screw (For standard wood 2 x 4 wall studs)	
	6		6
5/8" Pan head Screw		3" Self Tapping Metal Screw (For metal 2 x 4 wall studs)	

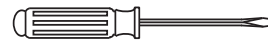
Tools Needed



Cordless Screw Driver
Or Power Drill with Phillips bit



Pliers



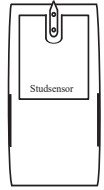
Small Regular Screw Driver



Phillips Screw Driver



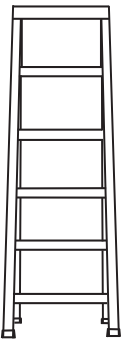
Stubby Phillips Screw Driver



Stud Sensor



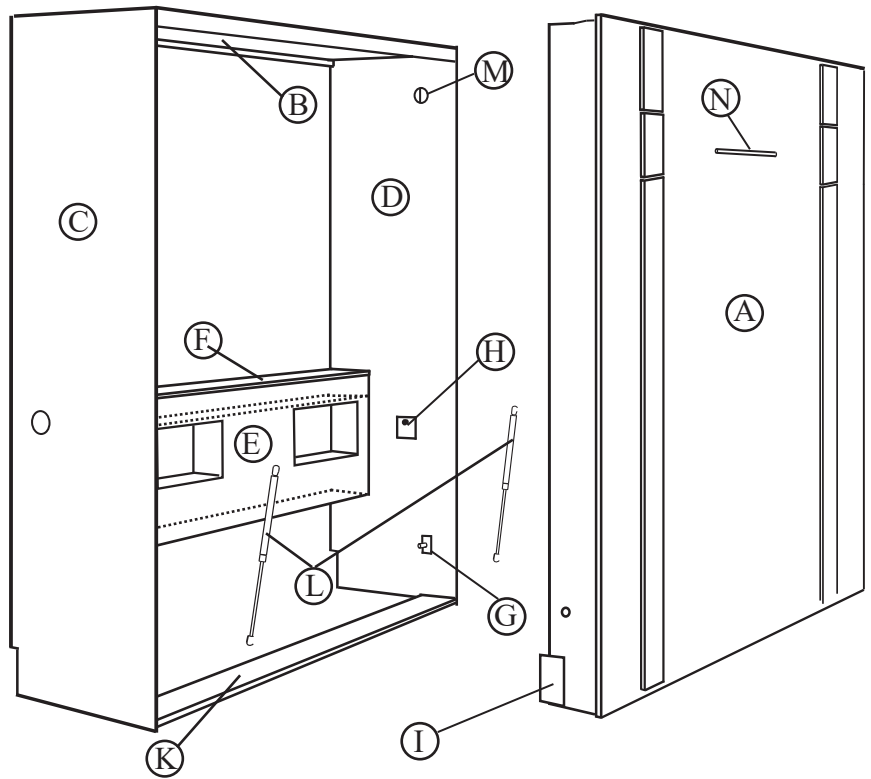
Tape Measure



6' Step Ladder

Wall Bed Parts List

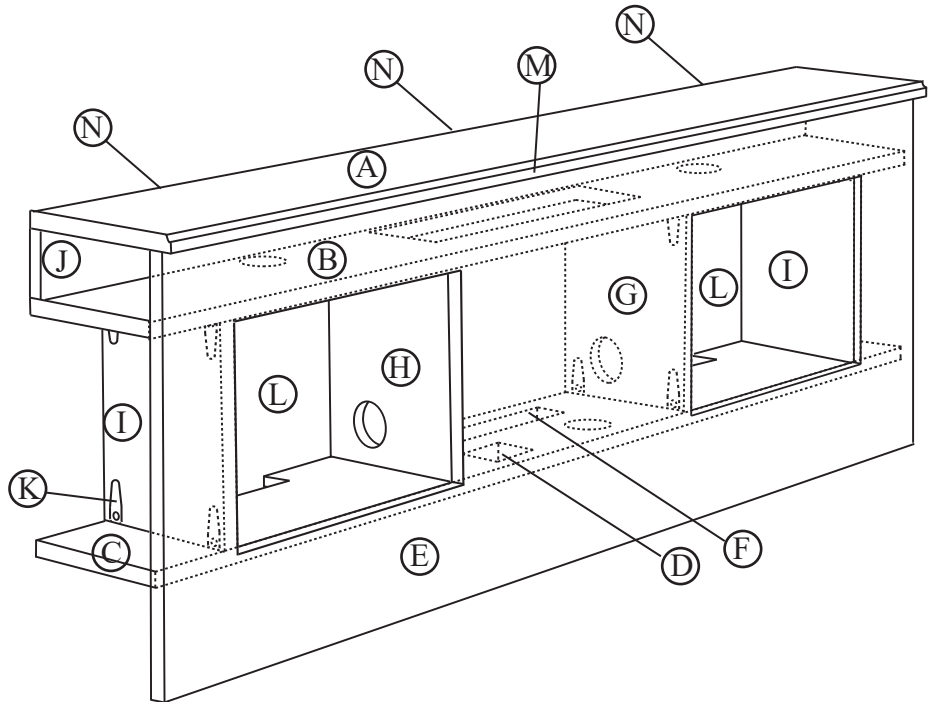
- Ⓐ Mattress Box (complete unit)
- Ⓑ Bridge Board
- Ⓒ Left Side Board
- Ⓓ Right Side Board
- Ⓔ Head Board Face
- Ⓕ Head Board Top
- (See Below for Head Board Parts)
- Ⓖ Male Pivot Point
- Ⓗ Upper Plate
- Ⓘ Lower Plate
- Ⓝ Female Pivot Point
- Ⓚ Stretcher Board
- Ⓛ Lift Piston
- Ⓝ Handle
- Ⓜ Bed Stop



Page 1

Equipment Head Board Parts List

- Ⓐ Head Board Hinged Top
- Ⓑ Top Shelf
- Ⓒ Bottom Shelf
- Ⓓ Cat 5-6
- Ⓔ Head Board Face
- Ⓕ Power Strip
- Ⓖ Right Center Partition
- Ⓗ Left Center Partition
- Ⓘ Outer Partion
- (Twin size beds no not have this part)
- Ⓝ Lid Support
- Ⓚ Cam/Connecting Bolt
- Ⓛ 1/4" Back Panel
- Ⓜ Barrel Catch Assembly (inside)
- Ⓝ Hinge Assembly (inside)

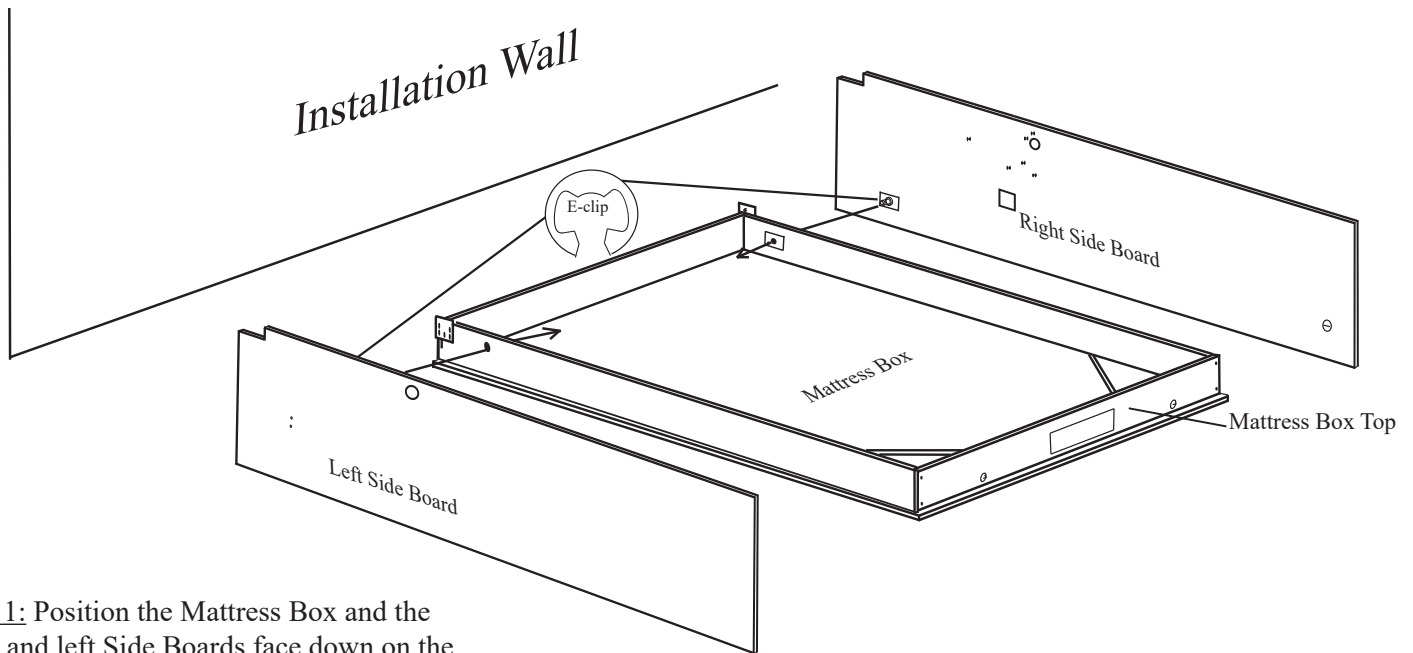
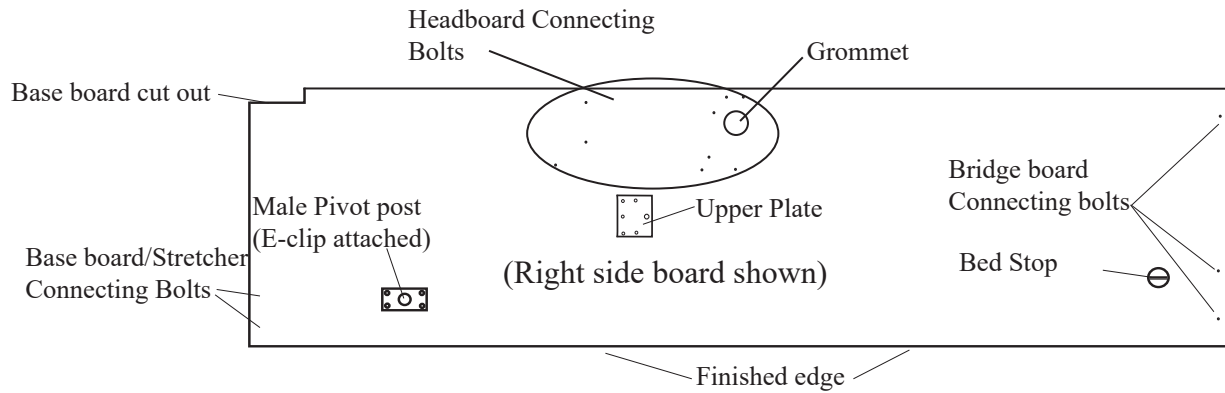


Page 2

NOTICE: THE ILLUSTRATIONS IN THESE INSTRUCTION SHOW ASSEMBLY WITH EXAM CABINET ON THE RIGHT. YOUR CABINETS AND CABINET PARTS MAY VARY FROM THESE DRAWING IN THE FORM OF A MIRROR IMAGE.

Side Board Illustration

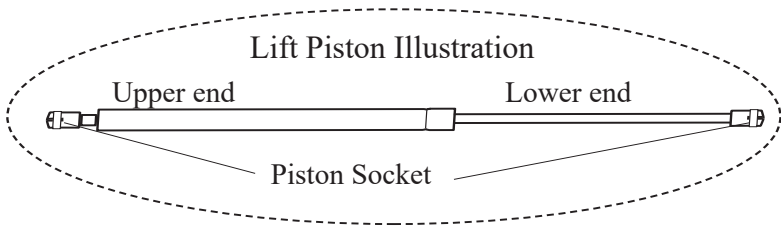
For ease of assembly, familiarize yourself with side board parts below.



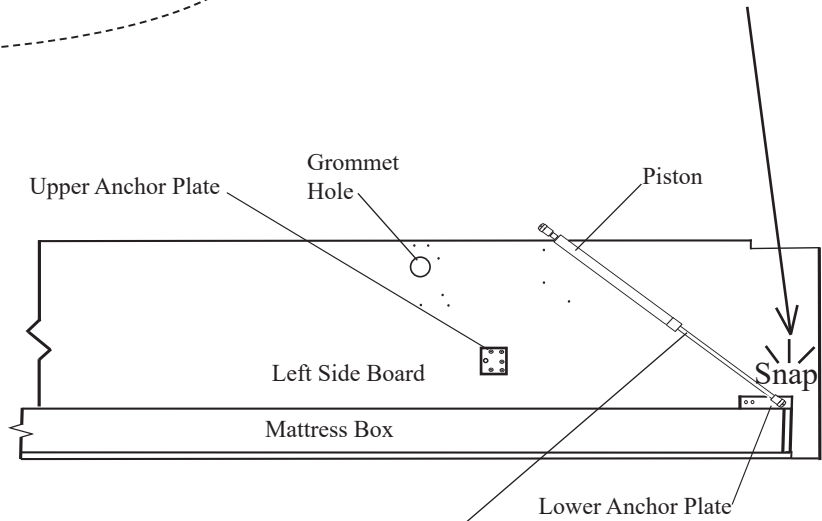
Step 1: Position the Mattress Box and the right and left Side Boards face down on the floor with the bottom of the Mattress Box approximately 2.5 feet from the wall where the bed will be installed.

Step 2: With a pair of pliers, remove the E-clips from the pivot posts on the Side Boards. Leave the white nylon spacers in place on the posts.

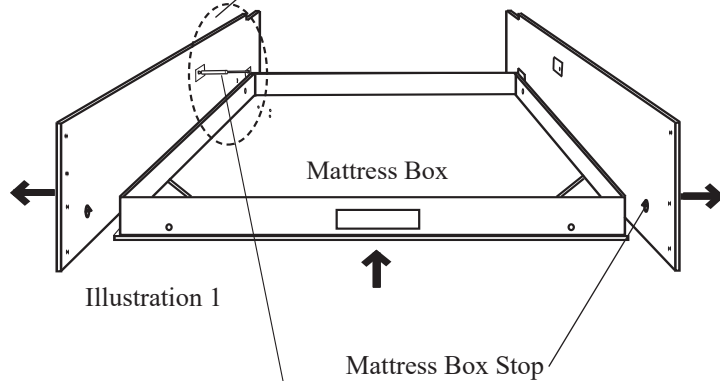
Step 3: Slide the Side Board pivot posts through the pivot holes in the Mattress Box as illustrated. Replace the E-clips.



Step 4: Attach the lower end of the Lift Piston (skinner end) onto the Lower Anchor Plate on both sides of the Mattress Box by positioning the socket end of the piston directly over the ball stud on the anchor plates and pushing them on. The piston socket will snap into place over the ball.



Step 5: Spread the Side Board tops so the Mattress Box has clearance to pass through the Mattress Box Stops on the Side Boards. (Illustration 1)



Step 6: This step will require two people. One person will kneel down in front of the Mattress Box and lift it up about 4 to 5 inches while the second person positions the upper socket end of the Lift Piston directly over the ball stud on the upper anchor plate and snap it into place. The first person may need to raise and lower the Mattress Box slightly to allow the Piston to snap on. Repeat step on opposite piston to be snapped into place. (Illustration 2)

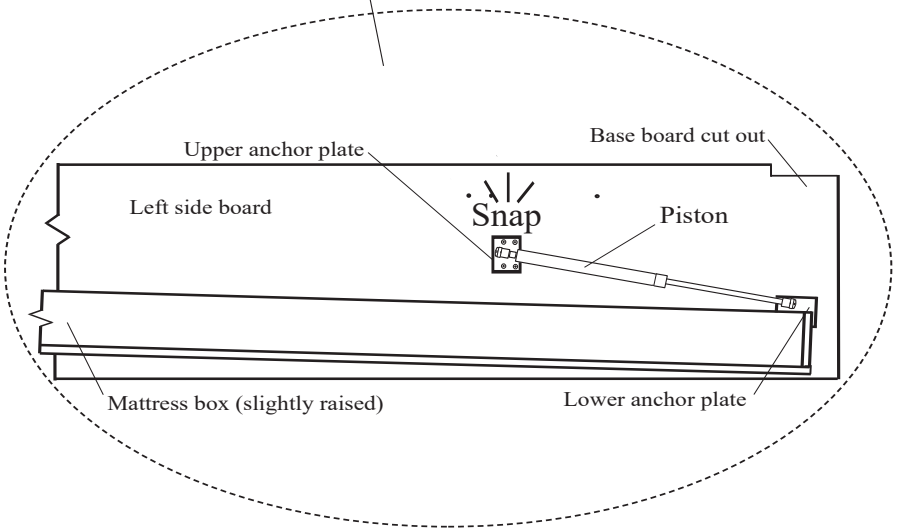
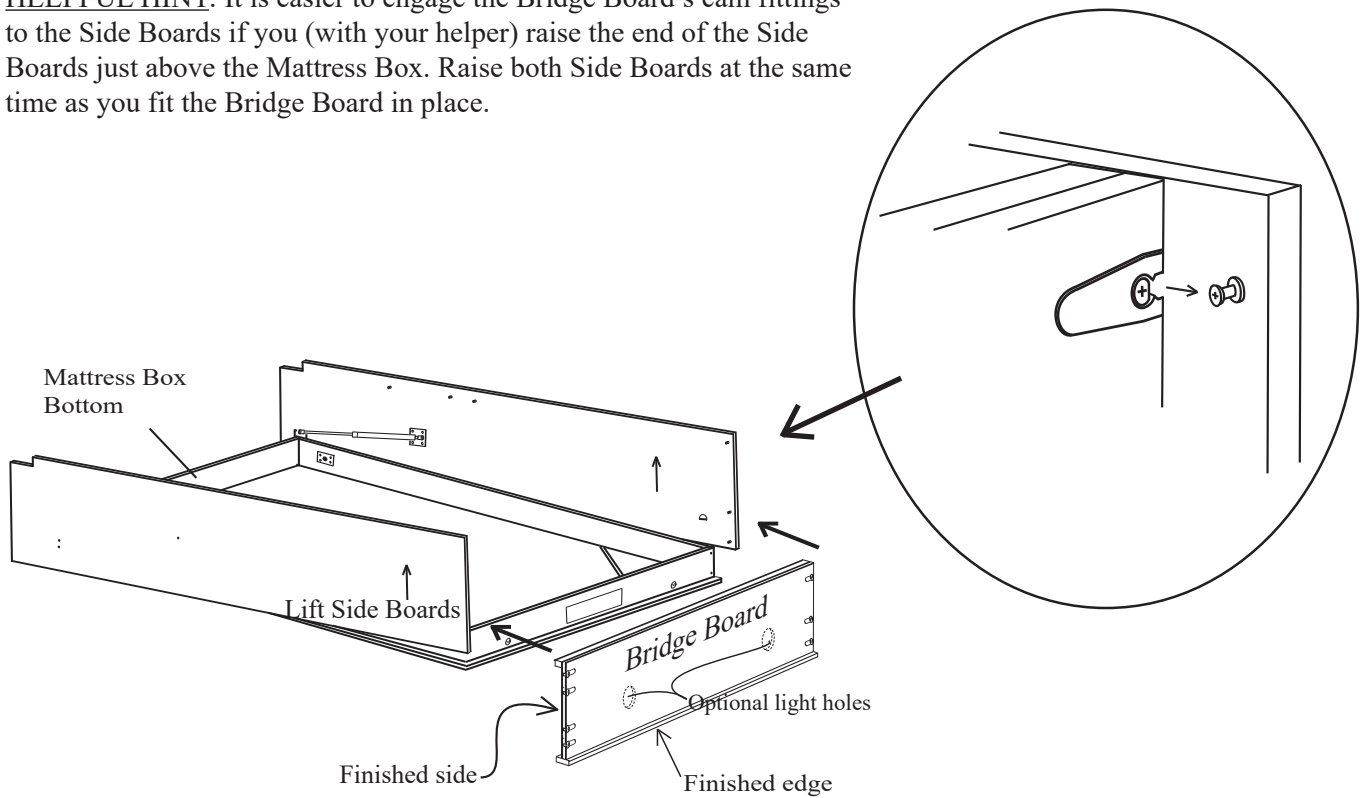


Illustration 2

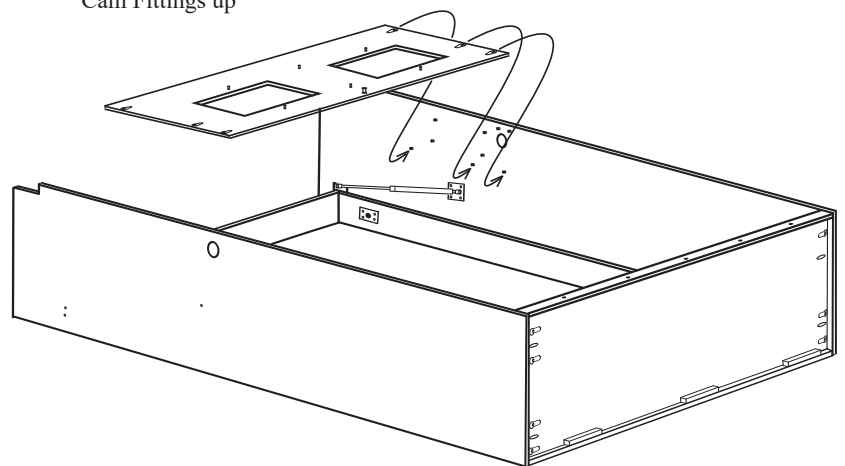
Step 7: Connect the Bridge Board to the Side Boards as illustrated. Tighten the Cam Fittings with a hand screw driver by turning the fitting clockwise one half turn . Do not use a power screw driver.

HELPFUL HINT: It is easier to engage the Bridge Board's cam fittings to the Side Boards if you (with your helper) raise the end of the Side Boards just above the Mattress Box. Raise both Side Boards at the same time as you fit the Bridge Board in place.

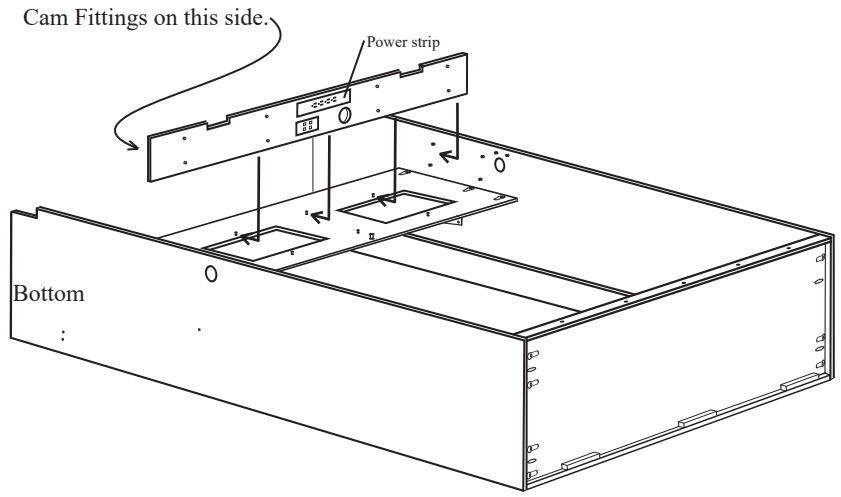


Cam Fittings up

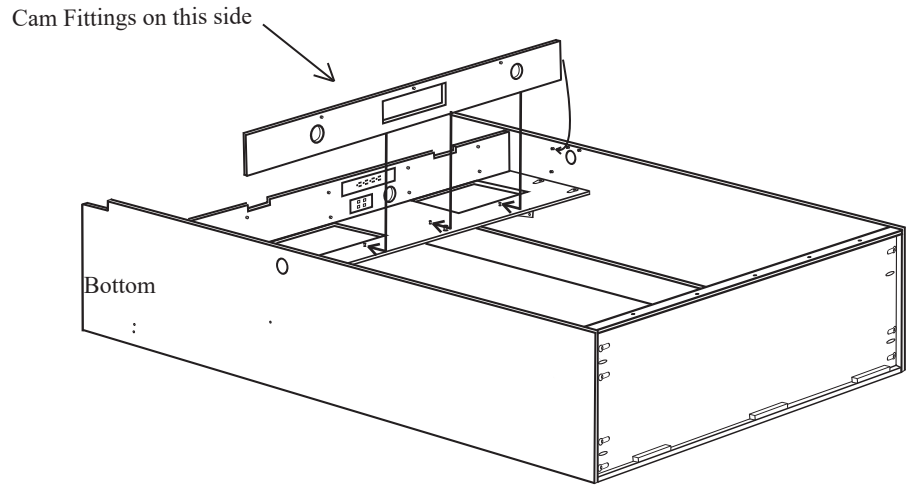
Step 8: Install the Head Board Face with the Wall Bed remaining face down on the floor. **HAVE SOMEONE HELP WITH THIS STEP.** Slide the Headboard between the Side Boards and under the Connecting Bolts line it up with the Connecting Bolts as illustrated. Now with a Phillips screw driver tighten the Cam fittings by turning them clockwise.



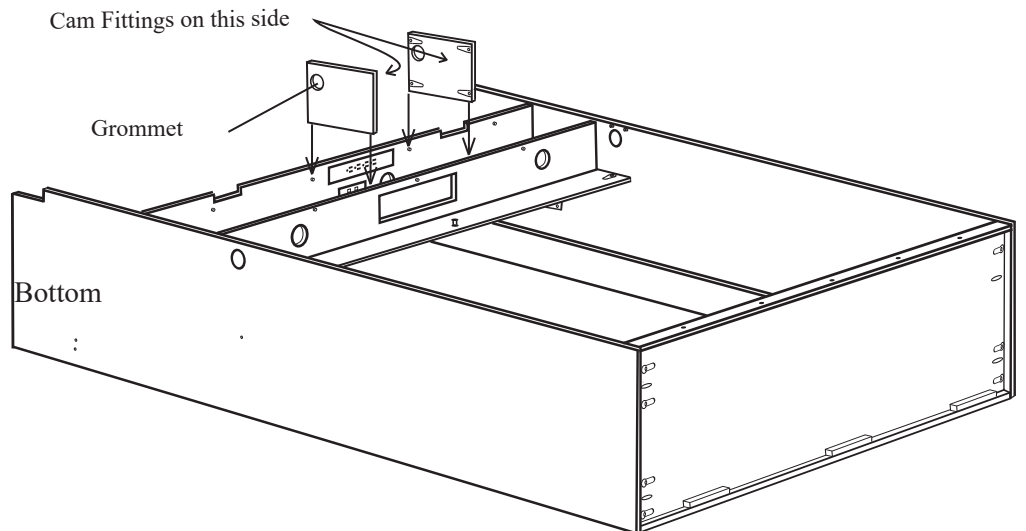
Step 9: Install the Head Board Bottom Shelf as illustrated. Make sure to orient the self as shown with the Cam Fittings down.



Step 10: Install the Head Board Top Shelf as illustrated. Make sure to orient the shelf as shown with the Cam Fittings down.



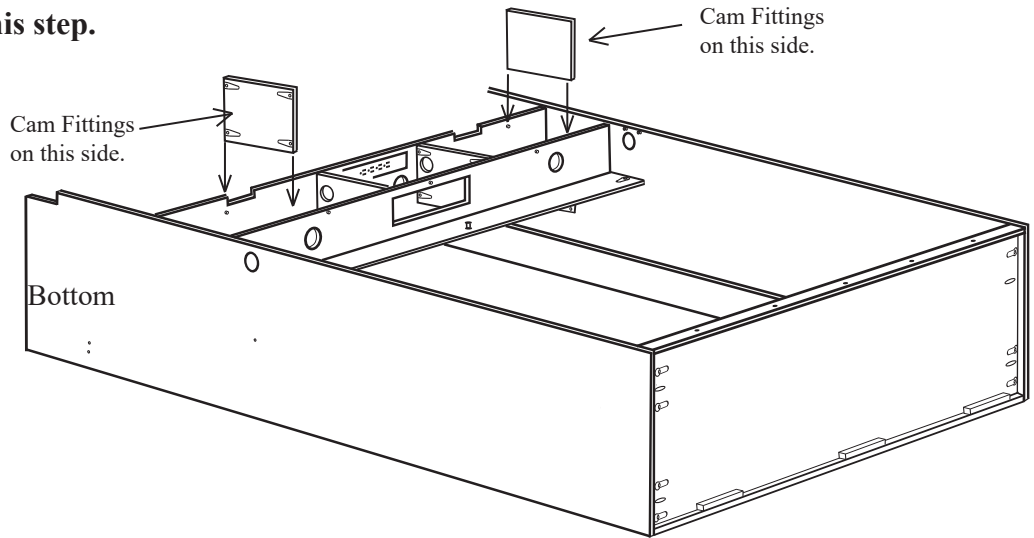
Step 11: Install the two Center Partitions as illustrated. Make sure to orient the partitions as shown with the Cam Fittings facing each other toward the INSIDE. Grommet holes down.



Note: Twin size wall beds do not have Outer Partitions and would skip this step.

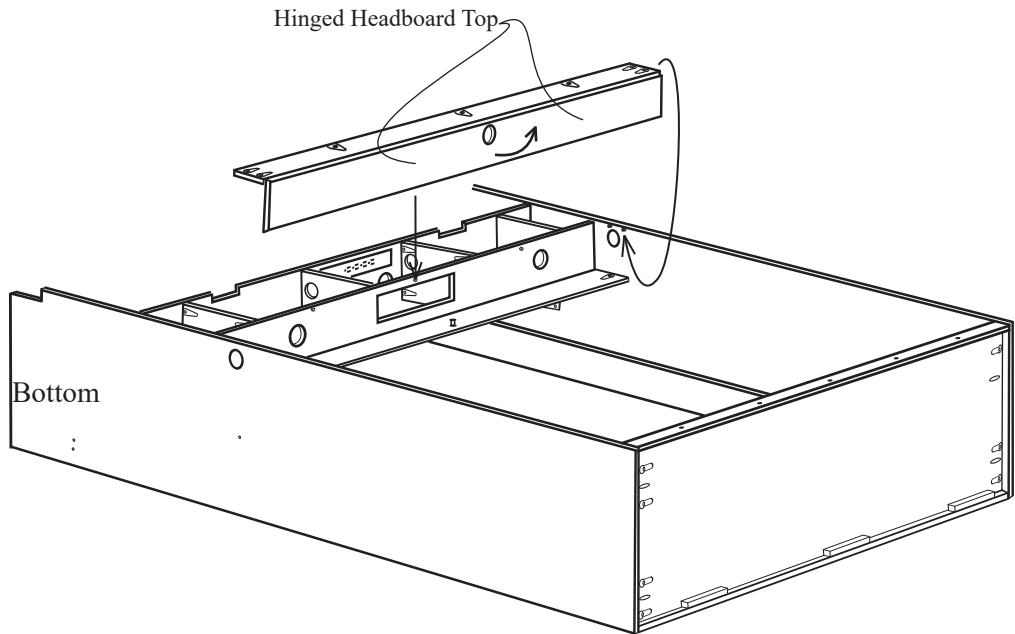


Step 12: Install the two Outer Partitions as illustrated. Make sure to orient the partitions as shown with the Cam Fittings facing OUTSIDE. Use the Stubby Phillips screw driver if necessary to tighten Cam Fittings.

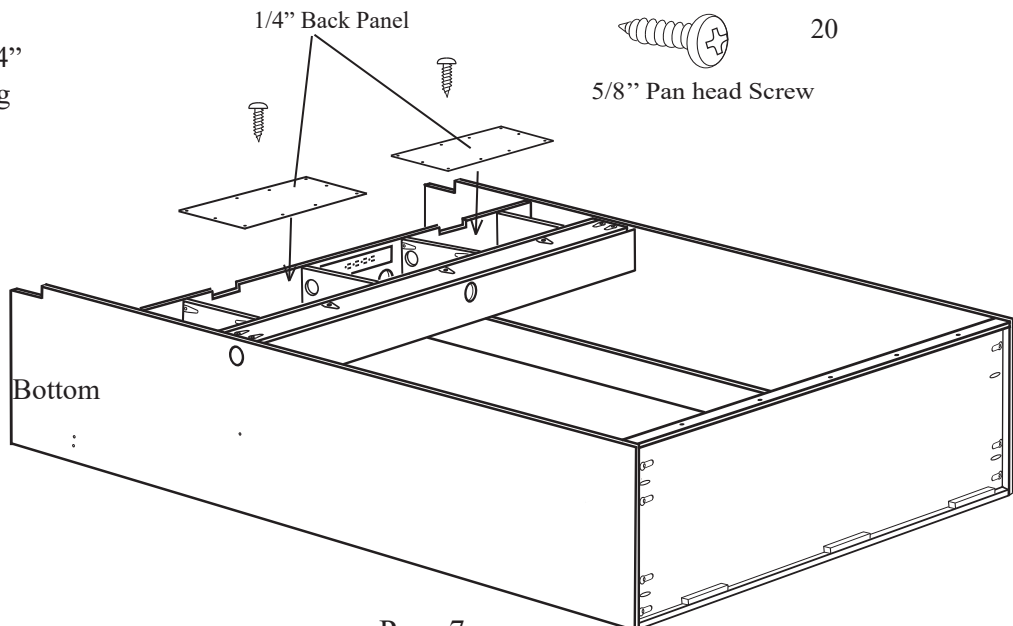


Step 13: Install the Hinged Head Board Top as illustrated.

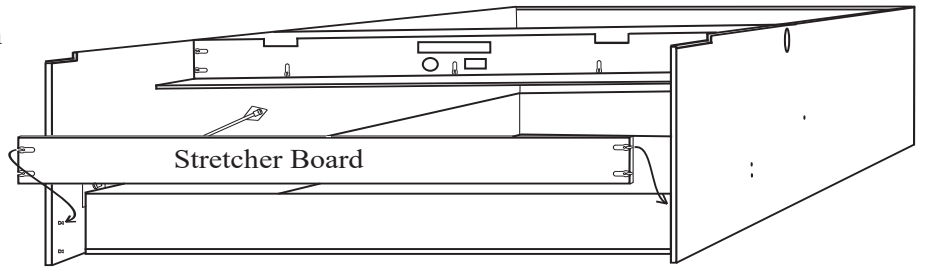
Helpful hint: Lift the Hinged Top to get the unit positioned correctly. Once in place snap the barrel catch together holding the Hinged Head Board Top closed.



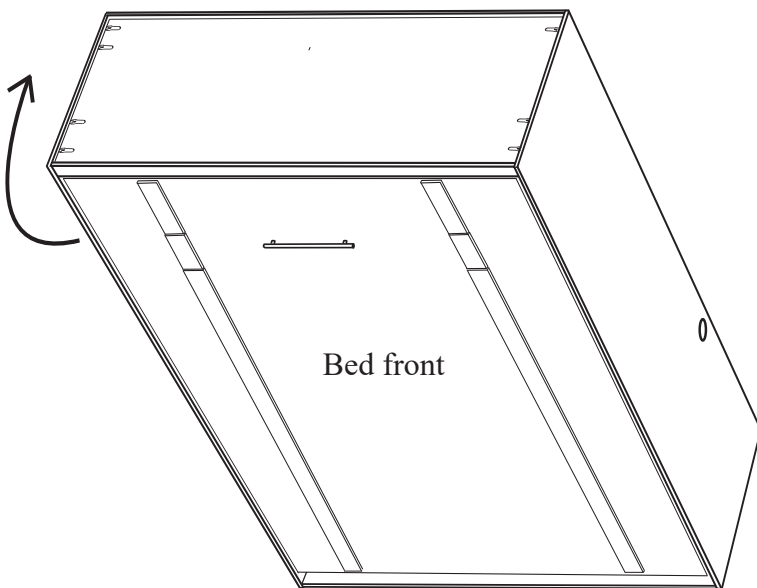
Step 14: Install the two 1/4" plywood back panels using the 5/8" Screws provided.



Step 15: Locate the Stretcher Board and slide it between the Side Boards at the bottom of the Wall Bed Cabinet. Insert the Cam Fittings onto the Connecting Bolts and tighten them by turning the cam clockwise.



If Wall Bed lights were purchased for the bed, you must install the lights at this point in the installation process. Light Kit instructions are included in the Light Kit box.

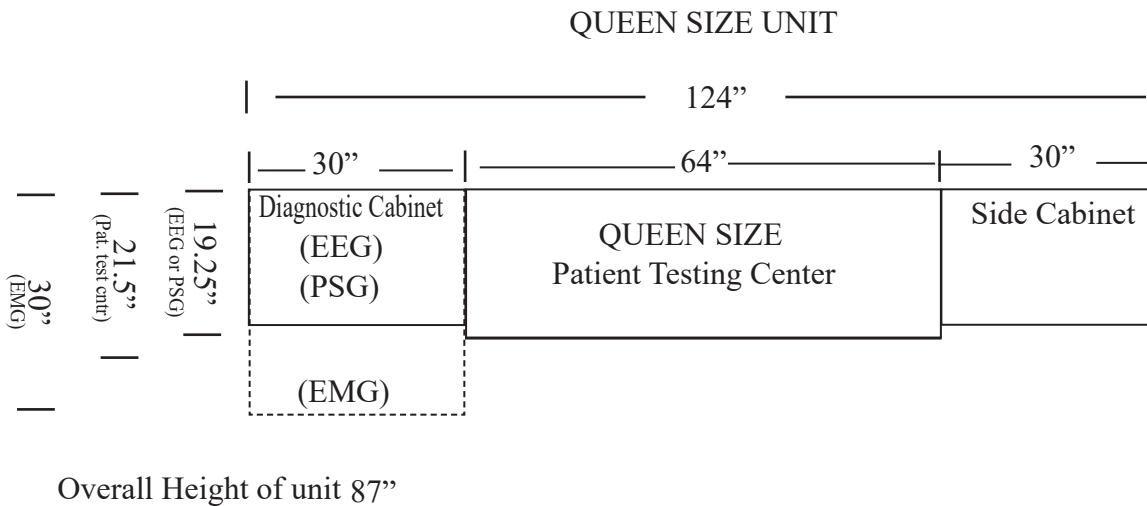
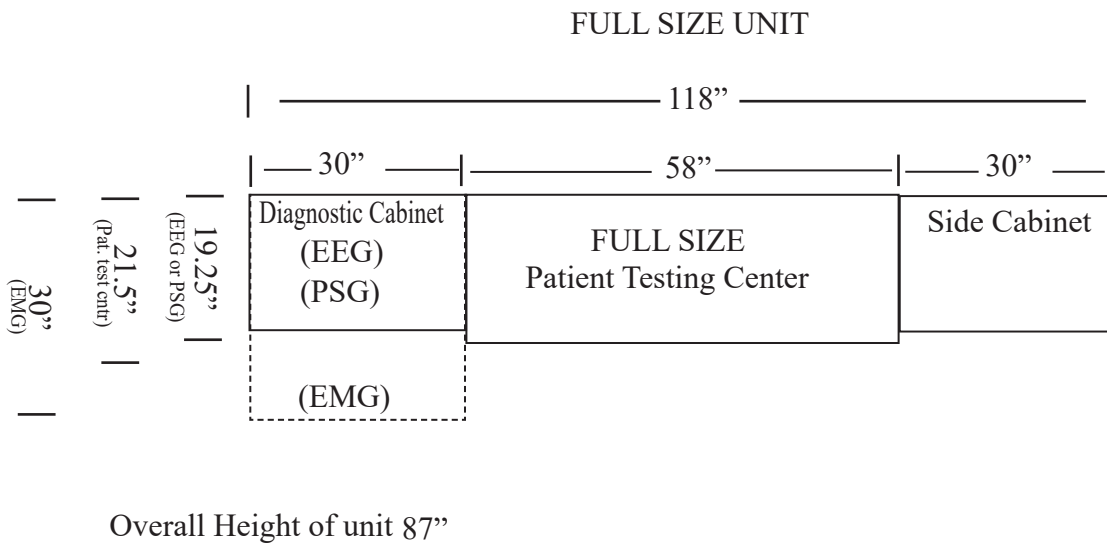
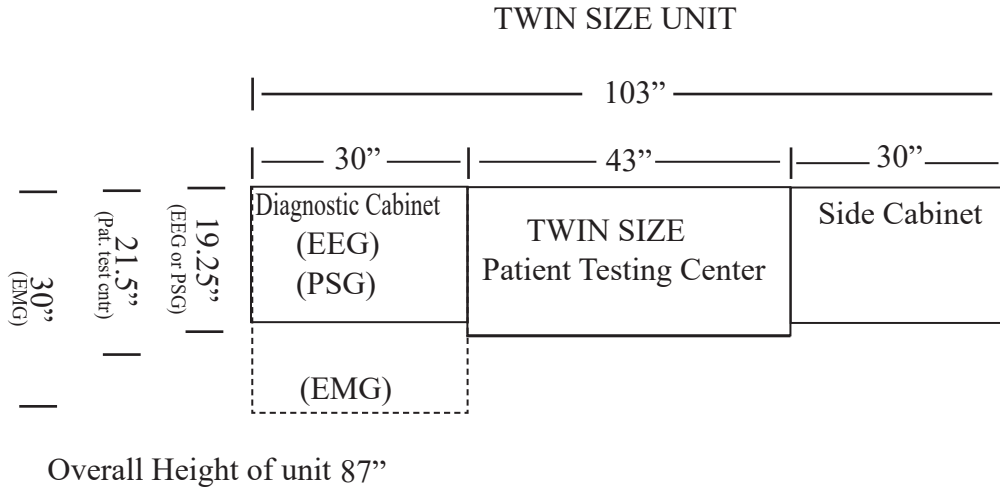


Step:16 This step will require 2 people. From the top of the Wall Bed unit lift it up to the standing position.

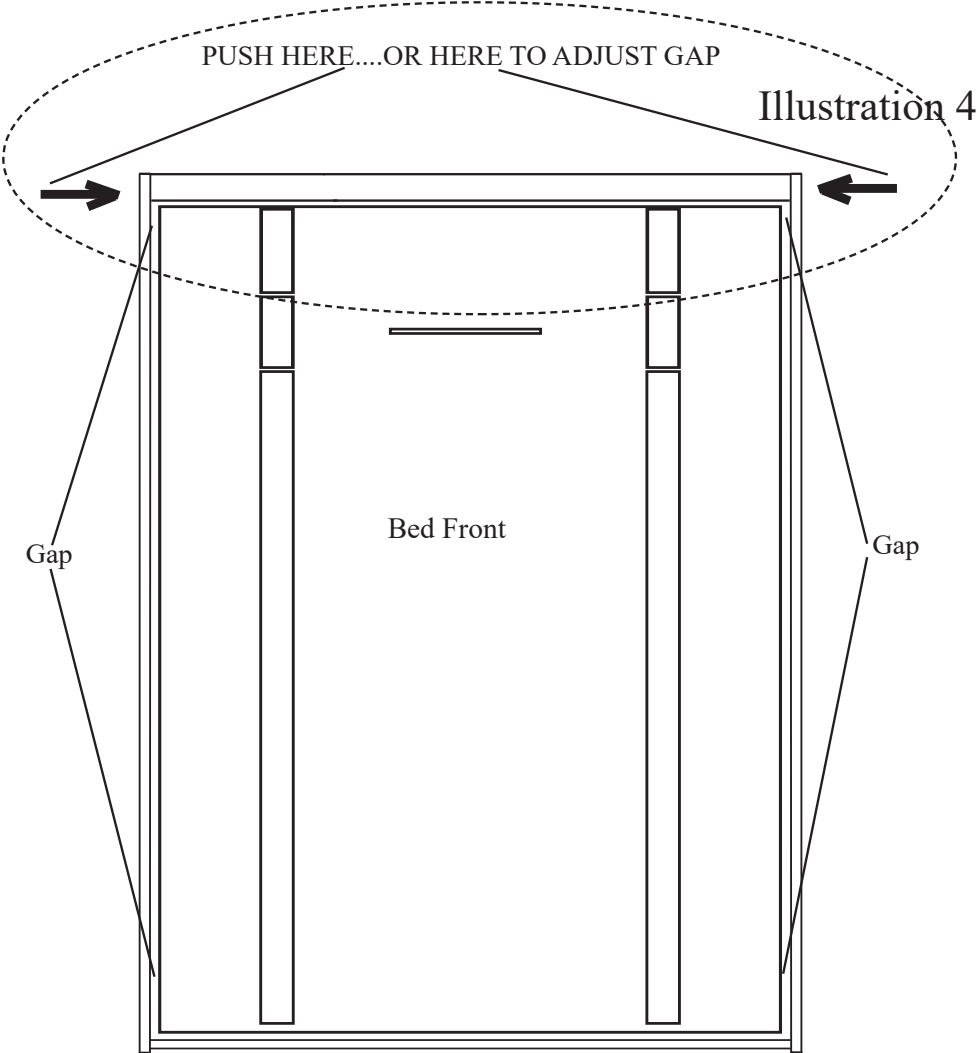
WARNING: The bed front is heavier and the Wall Bed unit may not stand on its own.

Positioning Unit in Room

The following illustration is a birds eye view with dimensions to be considered in locating the unit during installation. The illustration shows the Exam cabinet on the right but your unit may have it on the left.



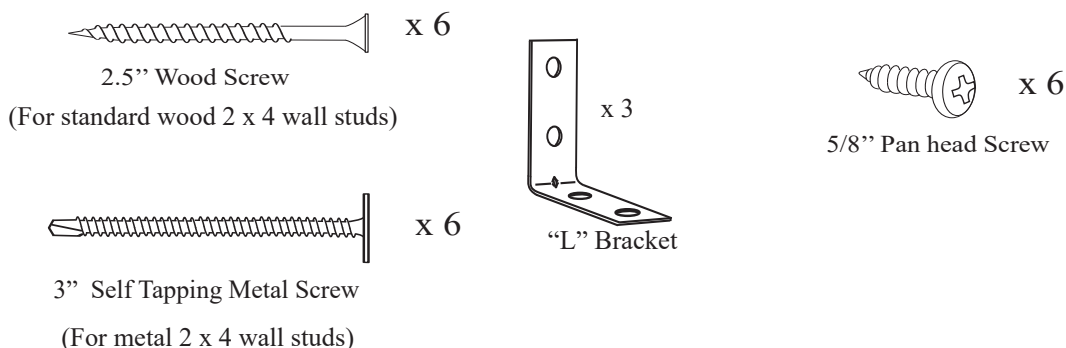
Step 17: Once the bed is standing, slide it back and position it against the wall where it is to be installed. Check the gap between the Side Boards and the Bed Front on both sides. The gap at this point will probably need to be adjusted. You can adjust the gap by pushing the bed cabinet to one side or the other at the top. Pushing it will even out the gap from top to bottom on each side.



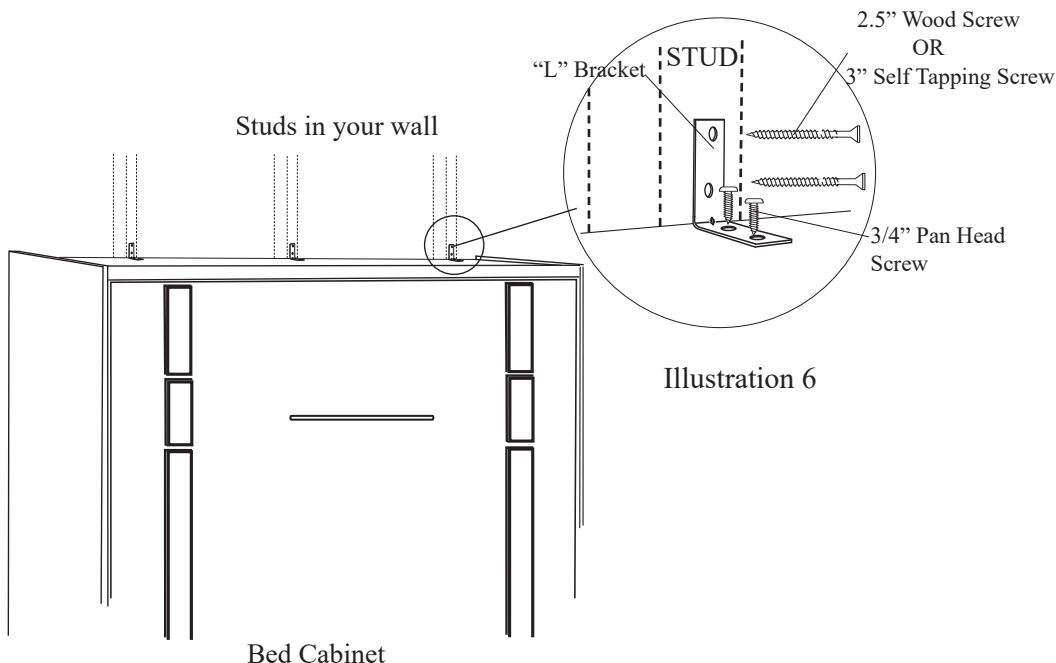
WARNING! THE NEXT STEP MAY REQUIRE PROFESSIONAL HELP.

IF YOUR WALLS ARE NOT TRADITIONAL WOOD FRAMING OR METAL STUD FRAMING, YOU MAY NEED TO HIRE A HANDYMAN OR CONTRACTOR TO HELP IN ANCHORING THE BED UNIT TO YOUR WALL. FAILURE TO PROPERLY ANCHOR THE BED CABINET COULD CAUSE SEVERE PERSONAL INJURY. CALL TECHNICAL SUPPORT AT 866-725-6401 IF YOU HAVE ANY QUESTIONS.

Hardware needed for next step

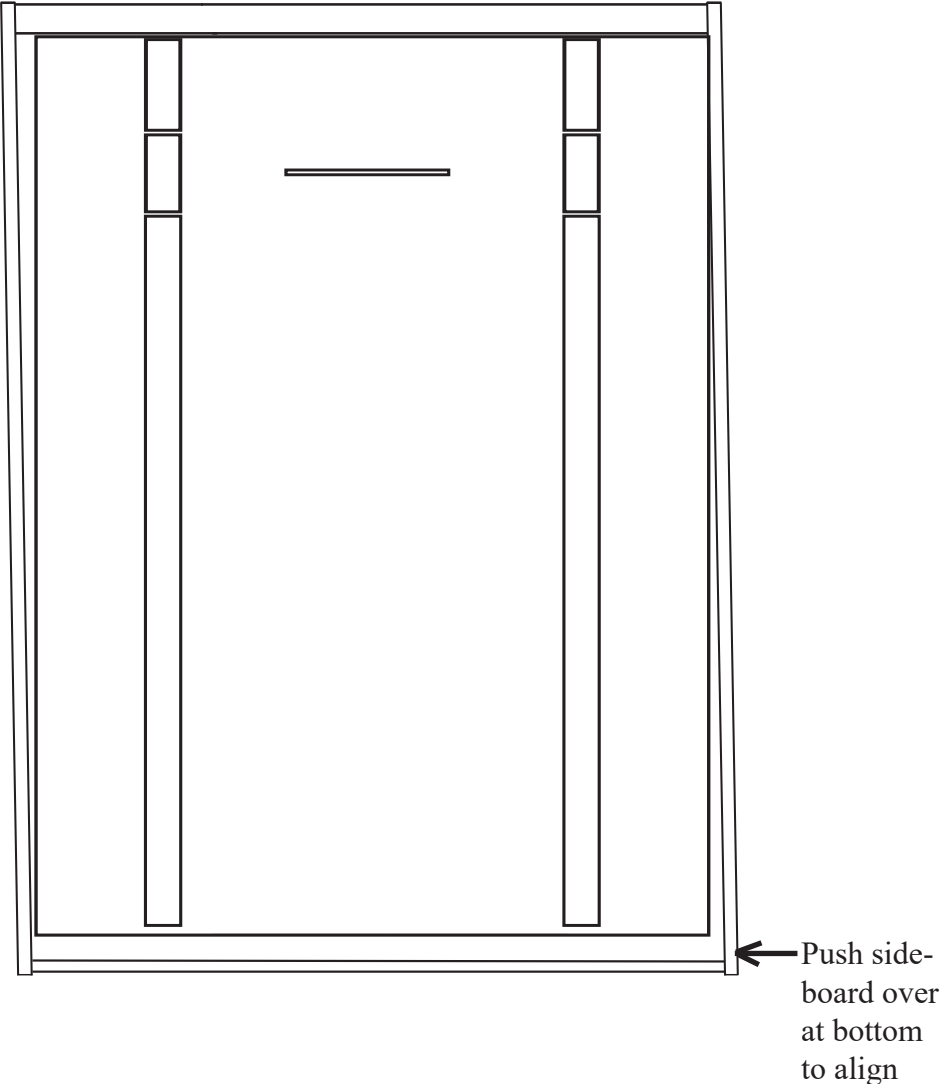


Step 18: Using a Stud Finder locate and mark the studs in your wall behind the Bed Cabinet. Attach "L" brackets to the top, back of the Bed Cabinet using 3/4" Pan Head screws corresponding to where the studs are located in your wall. Now attach the "L" brackets to the studs in the wall using either six 2.5" wood screws or six 3" Self Tapping Metal screws (depending on studs in wall). See illustration 6



IMPORTANT! Queen and Full size beds require 3 studs, Twin size beds require 2 studs. It is VERY important that the bed cabinet be anchored securely to the wall. For technical support call 866-725-6401 toll free.

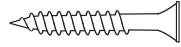
Step 19: Check the gap alignment again. If it looks right skip this step. If the gap is not right, meaning that the Mattress Box is too close to the side board or even touching it at the top on one side. It can be adjusted even after the Wall Bed is attached to the wall but it will require two people. The procedure will require the bottom of the Wall Bed Cabinet to be moved slightly to the left or right depending on which top corner is too close. If the Mattress Box is too close on the top right side for instance, the right side (bottom) will need to be slid to the left slightly. Have one person push the Side Board at the bottom with his feet while the second person pulls at the opposite bottom side.



Step 20: Move Side Cabinets in to place next to the Wallbed.



Step 21: Once the Side Cabinets are in place Use 1.5" wood screws to anchor them to the side of the Wallbed.



1 1/4" Wood Screw

